



www.knsco.com

DISPERSER

Powerful High speed mixer

DISPERSER

DISPERSER

- The SYSTEM equipment in which a mixing part coupled is combined with a dedicated stand and controller.
- A compact size suitable for laboratories.
- An AC motor with good power and quietness.
- Powerful motor rotation and vibration-free rotation axis.
- Compatible with Various Impellers.
- The various Lift options available.
- For stirring and dispersion of paint, cosmetics, foods, pharmaceuticals, etc.



VARIOUS SPECIAL TYPES

Depending on the process and method of use, K&S COMPANY'S DISPERSER is provided with various additional options and LIFT types for more suitable choices. Our devices have also been composed to meet the desired options which may be directly selected.



DP1QT
(Standard type)



DP1QT
(Automated lift type)



DP1HF
(Automated lift type)

COMPATIBLE IMPELLER AND ACCESSORIES



Disperser-blade
(For adhesive and paints)



Propeller
(For mixing low-viscosity)



Paddle
(For non-crushing stirring)

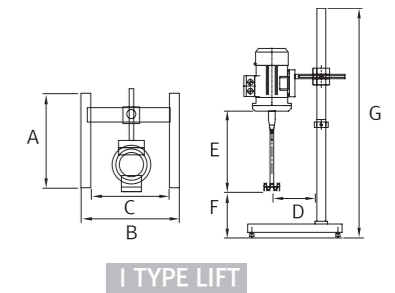


V-Clamp
(container fastening holder type)

- The K&S COMPANY'S DISPERSER may be used with various compatible IMPELLERS depending on the viscosity. The BLADES may be exchanged without the replacement of the shaft which allows easy use for sample research in laboratories. options which may be directly selected.

SPECIFICATION

MODEL	POWER	VOLUME (Water standard)	SPEED
DP 1QT	0.25 HP	1~10 L	0~1800, 3600 rpm(RPM changeable)
DP 1HF	0.5 HP	3~30 L	0~1800 rpm(RPM changeable)

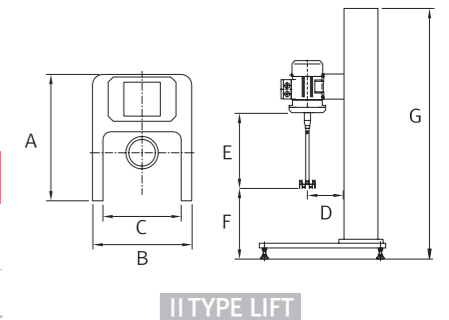


I TYPE LIFT

SIZE

LIFT TYPE	MODEL	A	B	C	D	E	F (Max)	G
I	DP 1QT	340	340	275	150	290	335	830
II	DP 1HF	500	460	350	200	360	350	1000

* Specifications available are subject to a change depending on the configuration options. (Unit : mm)



II TYPE LIFT

APPLICATION

The DISPERSER of K&S Company is capable of mixing and emulsification, not only of low-viscosity materials, but also mid-viscosity materials, hence, it is widely used in mixing and dispersion processes for paint, ink, cosmetics, pharmaceuticals and food. <DISPERSER video>



+ Pigment dispersion



When the powder is mixed with a liquid and the substance of medium viscosity is formed, DISPERSER can be used for pre-mixing and dispersion. It also can be used in many engineering processes due to its compatibility with a wide variety of different types of impellers. Video on the left shows how slurry (used in electric materials) is mixed by the DISPERSER.

+ Mixing paints



Mixing paint seems easy, yet this process possible only with strong power and vibration-free rotation. Yet, customers who have used K&S COMPANY'S DISPERSER for mixing process said the following on various occasions: We face problems when we use other mixers because the motors burn out. However, when we changed the device to K&S products, we were pleased with the excellent durability, not to mention the very high quality of the outcome it produced.